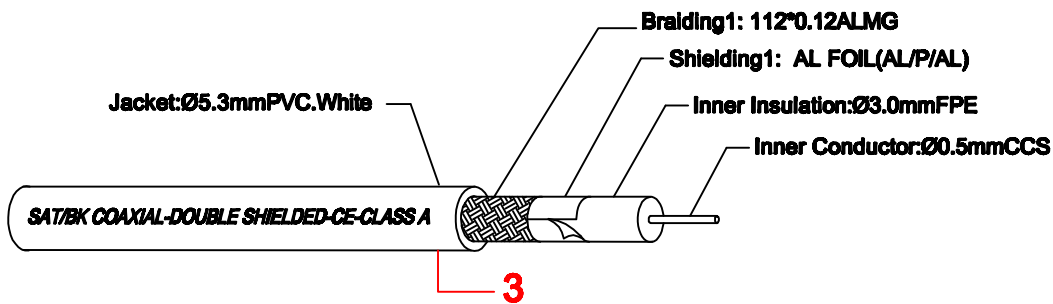
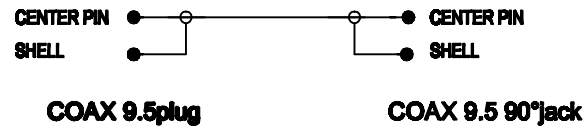


Construction



No	Item	Length	Packaging
67359	BKWG 0150	1.5m	1/10/80/160
67360	BKWG 0250	2.5m	1/10/60/120
67361	BKWG 0350	3.5m	1/10/40/80
67362	BKWG 0500	5.0m	1/10/30/60
67363	BKWG 0750	7.5m	1/5/20/40
67364	BKWG 1000	10	1/5/20/40

Wiring Method



1. dimensions As shown
2. Insulation resistance $\geq 10Q$ up to 500V=
3. dielectric strength
2 KV 50Hz 2 sec.
4. TESTING: 100% OPEN AND SHORT AND MISWIRE TEST.
5. 100% RoHS COMPLIANT.

6	MOULDED2	PVC 45P White	15g
5	Copper coil	φ4.5mm H:8mm	2PCS
4	MOULDED1	PVC 45P White	10g
3	CABLE	φ5.3 RG59 COAXIAL CABLE White(According to the chart)	L
2	CONNECTORS2	COAX 9.5 90° Jack (Nickel plating 100%Shielded)	1set
1	CONNECTORS1	COAX 9.5 Plug (Nickel plating 100% Shielded)	1set
NO	Item Name	SPEC	QTY
Edition		WEC/000	Scale
Designed by	ming hong	Item Name	COAX PLUG TO COAX 90°JACK COAXIAL CABLE
Checked by		Item NO	BKWG series cable
Approved by		Unit:	MM
Date	11.28.2013		